

READ AND SAVE THESE INSTRUCTIONS

EN

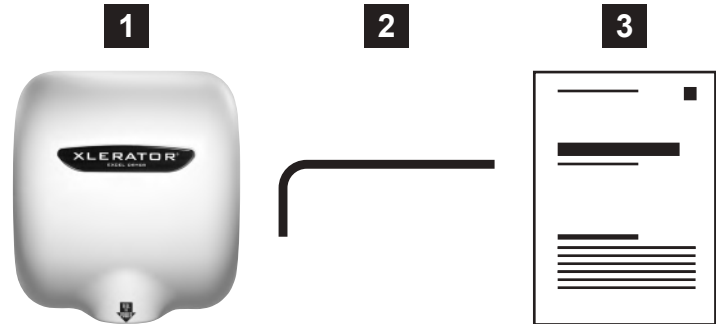


INSTALLATION AND OWNER'S MANUAL XLERATOR® AND XLERATOReco® HAND DRYER MODELS

MODELS: XL - **BW** **W** **GR** **C** **SB** **SI** **SP** WITH OR WITHOUT SUFFIX: **ECO** **V** **H**

RECEIVING SHIPMENT

1. Unpack all items from the shipping box.
2. Review items against the following list:
 1. Hand Dryer
 2. Tamper-Proof Wrench
 3. Installation and Owner's Manual
3. Report any missing or damaged items.
4. Locate the Dryer Model Number and Serial Number on the Dryer nameplate and record the date below.
5. Read and save these instructions.



MODEL INFORMATION

Dryer Model	<input type="text"/>	<input type="radio"/> 110-120V	<input type="radio"/> 11.3 – 12.2A	
Serial Number	<input type="text"/>	<input type="radio"/> 208-277V	<input type="radio"/> 5.6 – 6.2A	
Date Of Purchase	<input type="text"/>	<input type="radio"/> 110-120V	<input type="radio"/> 4.3 – 4.5A	XLERATOReco
		<input type="radio"/> 208-277V	<input type="radio"/> 2 – 2.2A	XLERATOReco

IMPORTANT SAFETY INSTRUCTIONS

	WARNING: For proper electrical connections, check your local building codes. Your unit must be installed by a qualified, licensed electrician.
	WARNING: To reduce risk of fire, electric shock or injury to persons, observe the following: A Use this unit only in the manner intended by the manufacturer. B Before servicing or cleaning unit, switch power off at service panel and lock the service disconnecting means to prevent power from being switched on accidentally. When the service disconnecting means cannot be locked, securely fasten a prominent warning device, such as a tag to the service panel.

- Do not use the XLERATOR dryer for drying hair.
- Do not obstruct air inlets or outlets.

PRE INSTALLATION WIRING SAFETY INSTRUCTIONS

- Check that the electrical supply corresponds to that shown on the rating sticker of unit. Do not connect the dryer to any electrical supply other than that stated on the rating sticker of the unit. Permanent damage or improper, unsafe operation of the unit may result.
- Make sure electricity is switched off at the main panel before installing, maintaining or cleaning this hand dryer.
- The Dryer must be installed in accordance with current local wiring and building regulations.
- Do not wire this hand dryer into the lighting circuit. It must be protected by an independent circuit.
- The Dryer is intended to be permanently connected to the power supply, and must be properly grounded.

GENERAL SAFETY INSTRUCTIONS

- Troubleshooting and internal maintenance must be performed by qualified service personnel.
- Do not use any power wash equipment for cleaning on or near this unit.

READ AND SAVE THESE INSTRUCTIONS

INSTALLATION INSTRUCTIONS

1. Disconnect the power source previously brought to the hand dryer location (see pre installation wiring).
2. Remove the 2 cover mounting screws using the Tamper-Proof Wrench supplied. Lift the cover to remove from base plate.
3. If electrical wiring entry is to be made from the rear, remove the appropriate pre-formed knockout on the base plate. If entry is to be made from the bottom, knock out the pre-formed area on the cover for your supply connection. A rigid conduit must be used for the electrical wiring to the unit.
4. Select the appropriate mounting height for the dryer (Table 1). Select the recommended fastener (Table 2). There should be no obstruction between the hand dryer and the floor. If mounting over a countertop, distance from counter to dryer must be 15" (381 mm) minimum.
5. Attach Base Plate at the four corners to a smooth wall. For most secure installation, use 2 additional mounting holes as shown in drawing. For non-HEPA units, remove Control Assembly to access the right side mounting hole. For HEPA units, remove filter only to access the right side mounting hole.
6. Identify the voltage of your dryer from the rating sticker of the unit. Then connect to a dedicated branch circuit not exceeding 20 Amp.
7. Secure electrical wiring to terminals as indicated by the schematic affixed to blower housing. An identified ground connection point is supplied on the Base Plate for your equipment ground wire. Dryers should be installed per local code requirements.
8. Carefully replace Cover using the 2 screws previously removed in step 2. Restore power and test for proper operation. In multiple installations, make sure the serial number marked on the inside matches the cover number.
9. It is highly recommended that a bead of silicone sealant be placed around the outside of the cover at the wall to protect dryer from internal corrosion caused by wash water and cleaning solutions.
10. Return Tamper-Proof Wrench to owner.

CAUTION: Do not use the Base Plate as a guide when drilling. Make sure no pipe work (gas, water, air) or any electrical cables or wires are located directly behind the area to be drilled.

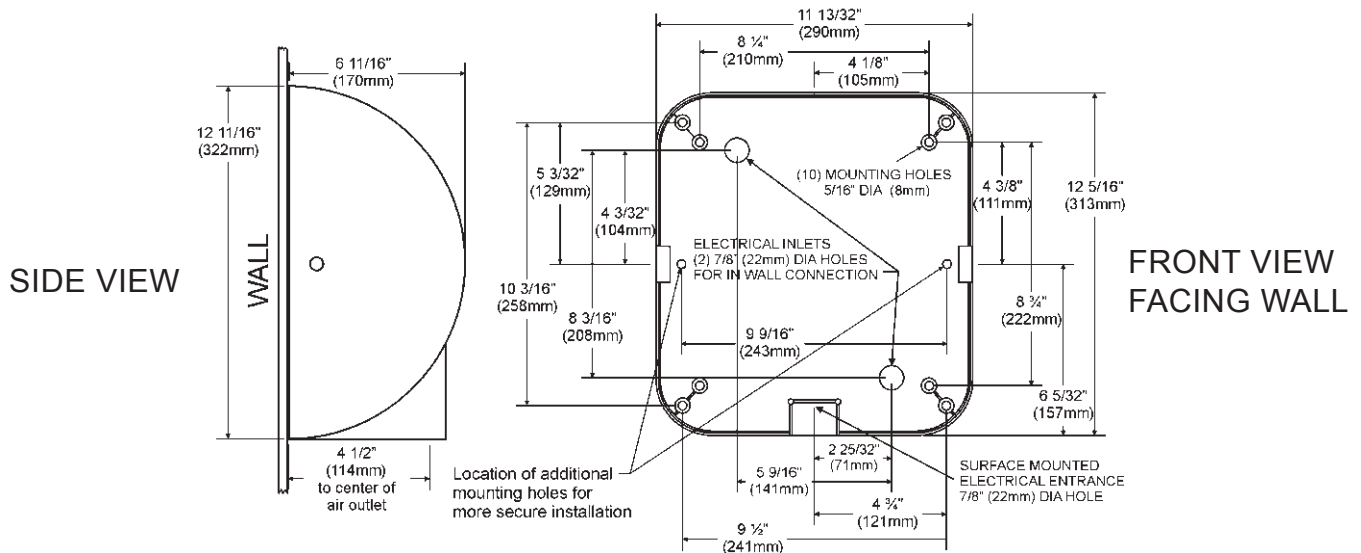


TABLE 1

1 SUGGESTED MOUNTING HEIGHT
from floor to bottom of dryer:

Men	45" (114 cm)
Women	43" (109 cm)
Teenagers	41" (104 cm)
Small Children	35" (89 cm)
Accessible	37" (94 cm)

TABLE 2

2 MOUNTING HARDWARE
Recommended Fastener (not supplied):

Masonry Wall	1/2" Expansion Sleeve with 1/4" Lag Bolt
Hollow Wall	1/4" Wing Type Toggle Bolt
Wooden Wall	1/4" Lag Screw With Washer



READ AND SAVE THESE INSTRUCTIONS

WARNING: TO REDUCE THE RISK OF FIRE, ELECTRIC SHOCK OR INJURY TO PERSONS, OBSERVE THE FOLLOWING:



- A. Use this unit only in the manner intended by the manufacturer.**
- B. Before servicing or cleaning unit, switch power off at service panel and lock the service disconnecting means to prevent power from being switched on accidentally. When the service disconnecting means cannot be locked, securely fasten a prominent warning device, such as a tag, to the service panel.**

CLEANING / MAINTENANCE

OUTSIDE Gently wash Cover (including air inlet holes) using a soft cloth or sponge and a mild soap or detergent with lukewarm water to loosen dirt and grime.

INSIDE Excel recommends inspecting the inside of the dryer and cleaning as required at least once per year, or if performance diminishes. Heavier usage, or an environment that contains excessive lint, dust or other particles, requires more frequent cleaning. Lint on the air inlet, the Pre-Filters (Dryer or HEPA if so equipped), or other internal parts of dryer will reduce efficiency and shorten the life of the working parts.

To clean, shut off power to dryer at service connection. Remove Cover by unscrewing the 2 Tamper-Proof Bolts from side of Cover with the special Tamper-Proof Wrench provided with each dryer. Use a small, soft brush to gently clean all parts. If your unit contains a dryer Pre-filter or HEPA Filtration System, unclip the Pre-Filter, rinse the Pre-Filter with water and dry. Re-install. **DO NOT CLEAN THE HEPA FILTER OR ALLOW IT TO COME INTO CONTACT WITH WATER.**

5-YEAR LIMITED WARRANTY (U.S. Only)

- This product is warranted to be free of manufacturing defects for five (5) years (one [1] year on HEPA Filter & Pre-Filter) from the date of shipment from the Manufacturer's factory at 357 Chestnut St., East Longmeadow, Massachusetts 01028. This warranty explicitly excludes normal wear and tear on the Filter or Pre-Filter, as well as faulty installation, accident, misuse, or vandalism. In the event of a breach of the warranty described above, the Owner shall have either one of the following remedies:
 - The Owner shall return the defective product to the Manufacturer, postage prepaid, and the Manufacturer shall repair said product within a reasonable time and free of charge, provided that said product is returned within the stated period above from the date of original shipment from the Manufacturer's factory in East Longmeadow, Massachusetts; and, provided further that said defect is not due to faulty installation, accident, misuse, or vandalism; or
 - The Owner may notify the Manufacturer by telephone or in writing of the defect and, within a reasonable time, the Manufacturer shall send a suitable replacement part to remedy said defect, and Owner shall be charged for said part at the current price level. The Owner may return the defective part to the Manufacturer, postage prepaid, along with the serial number of the defective product and the Manufacturer will then issue to the Owner a full credit for the repair part, including outgoing postage (within the Continental U.S. only). Said remedy is available only within the stated period stated above from the date of original shipment of the product from the Manufacturer's factory in East Longmeadow, Massachusetts, and provided further that said defect is not due to faulty installation, accident, misuse, or vandalism.
- Any implied warranties of merchantability or fitness for a particular purpose are hereby limited to the duration of the express written warranty contained in paragraph one (1); namely, five (5) years (one [1] year on HEPA Filter & Pre-Filter) from the date of shipment from the Manufacturer's factory in East Longmeadow, Massachusetts.
- There are no other warranties and remedies except as contained herein. This warranty shall inure to the benefit of the Owners, Successors and Assigns.

TROUBLESHOOTING

Dryer does not turn on

- Check power to the unit and connections. Verify dryer is receiving voltage at Terminal Block.
- Check RED service LED light next to air outlet on bottom of dryer for

Light is ON – Place hands under Sensor. If light stays on, then replace Sensor. If light goes off, check to make sure wiring is correct. If OK, check wire connecting to Motor. If both are OK, replace Motor.

Light is OFF – Check for loose, disconnected or improper wiring (See wiring schematic inside dryer Cover), or replace Control Assembly.

Light is FLASHING – See error codes in CODE chart

SENSOR RANGE ADJUSTMENT: *If dryer will not turn on, stays on, or stops working, it may be mounted too close to a counter or object and has gone into lockout. If relocating appliance is not possible, adjust the range of the Sensor. Turn off power to dryer then turn the range adjustment on the Control Assembly counterclockwise towards L (-) low to decrease Sensor range.*

Dryer does not shut off

- May be mounted too close to a counter or object (adjust Sensor range).
- Check for loose, disconnected or improper wiring at Control Assembly (refer to wiring schematic affixed to blower housing).
- Replace Control Assembly.

Dryer does not always turn on, or turns on by itself

- May be mounted too close to counter or object (adjust Sensor range).
- Check for foreign material on Optical Sensor next to Air Outlet.
- Check for loose wires on Control Assembly.
- Replace Control Assembly.

Dryer blows only cold air (non-ECO dryers)

- Check heat setting on control.
- Check for loose connections to Heating Element.
- Replace Heating Element.



READ AND SAVE THESE INSTRUCTIONS

TROUBLESHOOTING (Continued)

Dryer has loss of air volume

1. Check motor speed setting on control.
2. Check for slow running Motor or burning smell. If so, replace Motor.
3. Check Pre-Filter for lint buildup. Clean by removing Pre-Filter and rinse in warm water then dry Pre-Filter before reinstalling.

ADJUSTING THE HEAT OUTPUT, MOTOR SPEED AND SENSOR RANGE

The dryer is shipped with maximum heat and maximum motor speed. To adjust, turn the corresponding knob COUNTERCLOCKWISE to reduce.

H = HEAT M = MOTOR R = RANGE

Note: XLERATOReco models have no heating element and are set with heat at minimum.

CODE CHART

Codes are displayed by the flashing of the red LED light in the sensor behind air outlet.

Normal operation will be indicated by the red LED being on when not drying and off when hands are under the sensor.

Dryer Maintenance Codes

1 Short / 1 Long flash	Clogged Pre-Filter	Remove and clean Pre-Filter	Dryer will still run
1 Short / 2 Long flash	Severely Clogged Filter	Remove and clean Pre-Filter	Dryer will stop
2 Short / 1 Long flash	In lockout mode	Remove obstruction or adjust sensor range	Dryer stops until obstruction cleared or sensor range is adjusted

Motor Problem Codes

1 Long / 3 Short flashes	Motor over current	Measure voltage across the terminal block. If OK, replace motor	Dryer will stop
1 Long / 4 Short flashes	Motor under current	Measure voltage across the terminal block. If OK, replace motor	Dryer will stop

Heater Problem Codes

2 Long / 3 Short flashes	Shorted or incorrect heater	Replace heating element	Dryer will stop
--------------------------	-----------------------------	-------------------------	-----------------

If problem cannot be resolved with the above, please call the manufacturer at 1-800-255-9235 and one of our trained technicians will be happy to assist you.

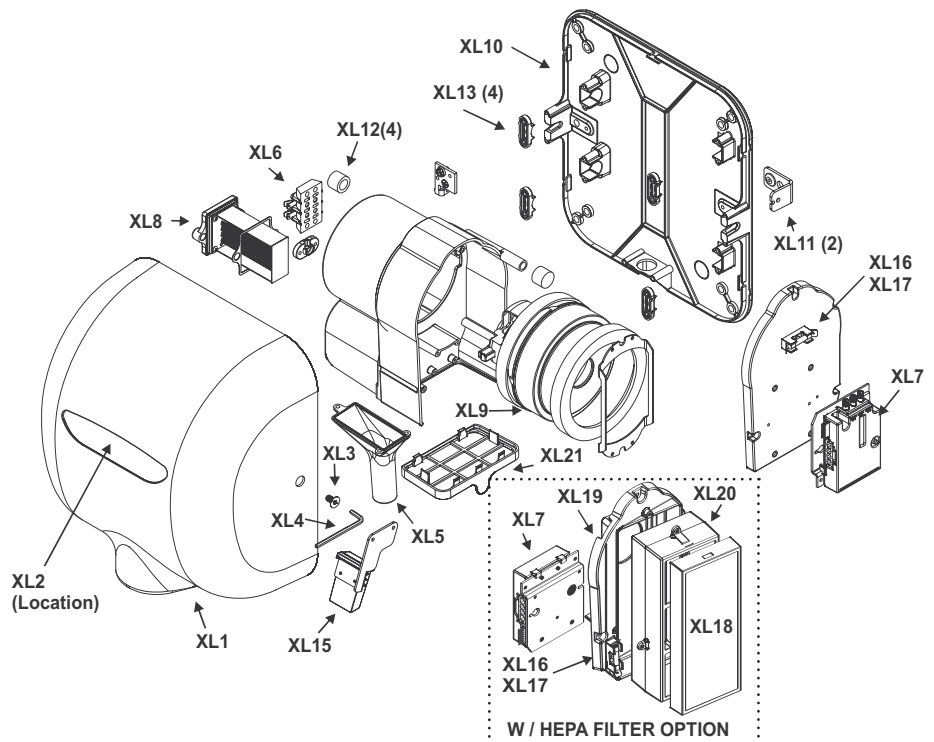
PARTS LIST

Ref. No. Description

XL 1	Cover (includes Nameplate)
XL 2	Nameplate
XL 3	Tamper-Proof Bolt
XL 4	Tamper-Proof Wrench
XL 5	Air Outlet (includes gasket)
XL 6	Terminal Block (includes screws)
XL 7	Control Assembly & Sensor
XL 8	Heating Element Assembly*
XL 9	Motor
XL 10	Base Plate Assembly
XL 11	Cover Mounting Brackets
XL 12	Housing Grommet
XL 13	Housing Retainer
XL 15	Optics Assembly (Sensor)
XL 16	Fuseholder (if so equipped)
XL 17	Fuse (if so equipped)
XL 18	HEPA Pre-Filter**
XL 19	HEPA Filter Adapter**
XL 20	HEPA Filter**
XL 21	Pre-Filter

*Does not apply to XLERATOReco models

**Only applies to HEPA models



LEA Y GUARDE ESTAS INSTRUCCIONES

SP



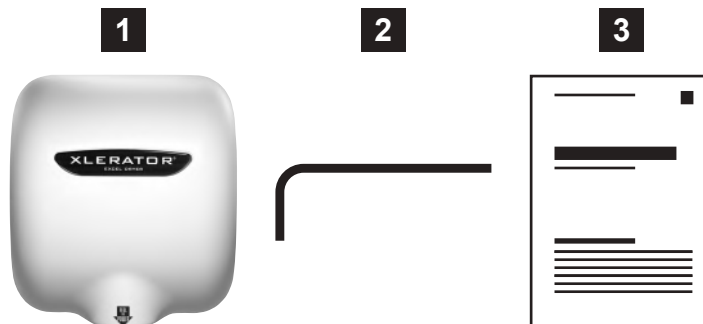
MANUAL DE INSTALACIÓN Y USO DE LOS MODELOS DE SECADORAS DE MANO XLERATOR® Y XLERATORECO®

MODELOS: XL - **BW** **W** **GR** **C** **SB** **SI** **SP**

CON O SIN SUFIDO: **ECO** **V** **H**

AL RECIBIR EL ENVÍO

1. Desempaque todos los artículos de la caja de envío.
2. Coteje los artículos con la siguiente lista:
 1. Secadora de manos
 2. Llave a prueba de manipulación
 3. Manual de instalación y uso
3. Reporte cualquier artículo faltante o dañado.
4. Localice el número de serie y modelo de la secadora en la placa de nombre y registre los datos a continuación.
5. Lea y guarde estas instrucciones.



INFORMACIÓN DEL MODELO

Modelo de secadora

Número de serie

Fecha de compra

- | | | |
|--------------------------------|--------------|-------------|
| <input type="radio"/> 110-120V | 11.3 – 12.2A | |
| <input type="radio"/> 208-277V | 5.6 – 6.2A | |
| <input type="radio"/> 110-120V | 4.3 – 4.5A | XLERATOReco |
| <input type="radio"/> 208-277V | 2 – 2.2A | XLERATOReco |

INSTRUCCIONES IMPORTANTES DE SEGURIDAD

	ADVERTENCIA: Revise los códigos locales de construcción para ver las conexiones eléctricas adecuadas. Su unidad debe de ser instalada por un electricista calificado y autorizado.
	ADVERTENCIA: Para reducir el riesgo de incendio, choque eléctrico o lesiones, observe las siguientes recomendaciones: A. Use esta unidad únicamente en la manera establecida por el fabricante. B. Antes de darle servicio o limpiar la unidad, apague la corriente en el panel de servicio y bloquee el medio de desconexión para evitar que se encienda accidentalmente. Si no puede bloquear el medio de desconexión, coloque firmemente un dispositivo de advertencia en el panel de servicio, como una etiqueta.

- No use la secadora XLERATOR para secarse el pelo.
- No obstruya las tomas ni salidas de aire.

INSTRUCCIONES PREVIAS A LA INSTALACIÓN SEGURIDAD DEL CABLEADO

- Revise que el suministro eléctrico corresponda al que se muestra en la etiqueta de calibración de la unidad. No conecte la secadora en ninguna toma de corriente eléctrica que no sea la que se muestra en la etiqueta de calibración de la unidad. Podría causarse daño permanente en la unidad o esta podría ser peligrosa de operar.
- Revise que esté apagada la electricidad en el panel principal antes de instalar, darle mantenimiento o limpiar esta secadora de manos.
- La secadora debe de instalarse de conformidad con los reglamentos locales vigentes de cableado y construcción.
- No conecte esta unidad al circuito de iluminación. Debe de estar protegida en un circuito independiente.
- La secadora está destinada a estar conectada a la corriente de manera permanente y debe de estar debidamente aterrizada.

INSTRUCCIONES GENERALES DE SEGURIDAD

- La solución de problemas y el mantenimiento interno deben ser llevados a cabo solo por personal de servicio calificado.
- No use ningún otro equipo de lavado eléctrico en esta unidad o cerca de ella.



EXCEL DRYER, INC 1.413.525.4531 1.800.255.9235 (US/CN) EXCELDRYER.COM
ADMIN@EXCELDRYER.COM 357 CHESTNUT STREET, EAST LONGMEADOW, MA 01028

1/2019

5

LEA Y GUARDE ESTAS INSTRUCCIONES

INSTRUCCIONES DE INSTALACIÓN

1. Desconecte la fuente de poder llevada previamente a la ubicación de la secadora de manos (vea el cableado previo a la instalación).
2. Quite los dos tornillos de montaje de la cubierta con la llave a prueba de manipulación que se suministra. Levante la cubierta para quitar la placa de la base.
3. Si se va a hacer el cableado eléctrico desde la parte trasera, quite el bocado preformado correspondiente en la placa de base. Si la entrada se va a hacer por abajo, saque el bocado del área preformada de la cubierta para la conexión de la corriente. Debe de utilizarse un conducto rígido para los cables eléctricos que van a la unidad.
4. Seleccione la altura apropiada para montar la secadora. (Tabla 1) Seleccione el sujetador apropiado (Tabla 2). No debe haber obstrucciones entre la secadora y el piso. Si la va a montar sobre una cubierta, la distancia entre la cubierta y la secadora debe ser de por lo menos 38.1 cm (15").

PRECAUCIÓN: No use la placa de base como guía cuando vaya a perforar. Revise que detrás del área donde vaya a perforar no haya tuberías (de gas, agua, aire) cables o alambre.

5. Fije la placa de base en una pared lisa por las cuatro esquinas. Para que la instalación sea más segura, use dos agujeros de montaje adicionales como se muestra en el dibujo. En caso de unidades sin filtro HEPA, quite el conjunto de control para tener

acceso al agujero de montaje del lado derecho. En caso de unidades con filtro HEPA, quite solamente el filtro para tener acceso al agujero de montaje del lado derecho.

6. Identifique el voltaje de la secadora en la etiqueta de calibración de la unidad. Después conéctela a un circuito ramal dedicado que no exceda los 20 amperes.
7. Fije el cableado eléctrico a las terminales como se indica en el diagrama fijado en el gabinete de la sopladora. En la placa de base se encuentra un punto identificado de conexión a tierra para el cable de tierra del equipo. Las secadoras deben de instalarse conforme a los requerimientos de los códigos locales.
8. Con cuidado vuelva a colocar la cubierta usando los dos tornillos que quitó en el paso 2. Restablezca la corriente y pruebe que funcione debidamente. En instalaciones múltiples, revise que el número de serie marcado en el interior coincida con el número de la cubierta.
9. Es muy recomendable poner en la pared una capa de sellador de silicona alrededor del exterior de la cubierta para proteger a la secadora de la corrosión interna causada por el agua de lavado y las soluciones de limpieza.
10. Devuelva la llave a prueba de manipulación al dueño.

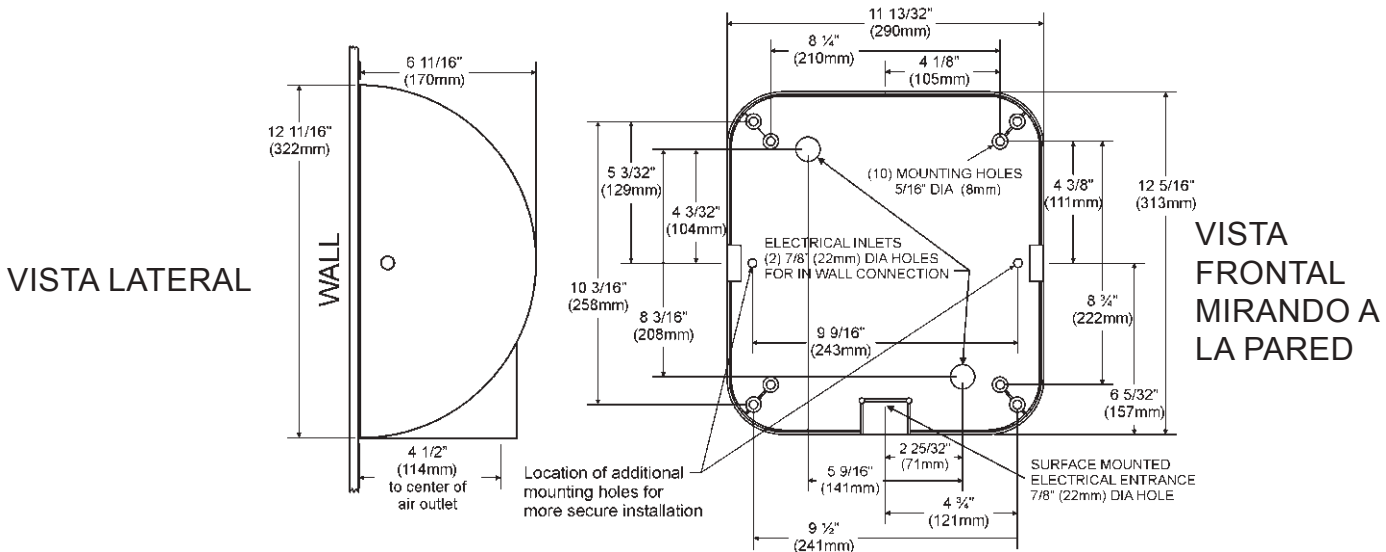


TABLA 1

1 ALTURA SUGERIDA PARA MONTARLO del piso al fondo de la secadora:

Hombres	45" (114 cm)
Mujeres	43" (109 cm)
Adolescentes	41" (104 cm)
Niños pequeños	35" (89 cm)
Accessible	37" (94 cm)

TABLA 2

2 ACCESORIOS DE MONTAJE Sujetador recomendado (no incluido):

Pared de Mampostería	Manga de expansión de 1/2" con hexagonal de 1/4"
Pared Hueca	Tipo ala 1/4" Perno tensor
Pared de madera	Tornillo tirafondo de 1/4" con rondana



LEA Y GUARDE ESTAS INSTRUCCIONES

LIMPIEZA Y MANTENIMIENTO

EXTERIOR: Afloje la suciedad y la mugre lavando suavemente la cubierta (incluyendo los agujeros de toma de aire). Use un paño suave o una esponja y un jabón o detergente suave con agua tibia.

INTERIOR: Excel recomienda inspeccionar y limpiar debidamente el interior de la secadora al menos una vez al año para que no mengüe su desempeño. El uso pesado o un ambiente que contenga un exceso de pelusa, polvo y otras partículas requerirán una limpieza más frecuente. La pelusa en la toma de aire, en los prefiltros (secadora o HEPA si está así equipada), o en otras partes internas de la secadora reduce la eficiencia y acorta la duración de las partes funcionales. Para limpiarla, apague la corriente de la secadora en la conexión de servicio. Quite la cubierta desatornillando los dos pernos a prueba de manipulación del costado de la cubierta con la llave a prueba de manipulación suministrada con cada secadora. Limpie todas las partes con un cepillo pequeño y suave. Si la unidad contiene un sistema de filtración de prefiltro o HEPA, desenganche el prefiltro, enjuáguelo con agua y séquelo. Instálelo de nuevo.

NO LAVE EL FILTRO HEPA NI DEJE QUE ENTRE EN CONTACTO CON AGUA.

SOLUCIÓN DE PROBLEMAS

La secadora no se enciende

- Revise la corriente de la unidad y las conexiones. Verifique que la secadora esté recibiendo el voltaje adecuado en el bloque terminal. (Revise el voltaje en la etiqueta de la secadora).
- Localice y revise la luz ROJA de servicio LED junto a la salida de aire en el fondo de la secadora para ver si presenta alguna de las siguientes condiciones: La luz está encendida – Coloque las manos bajo el detector. Si la luz sigue encendida, entonces reemplace el detector. Si la luz se apaga, revise que el cableado sea el correcto. Si está bien, revise el cable que conecta al motor. Si los dos están bien, reemplace el motor.
La luz está apagada – Revise si hay cables flojos, desconectados o inadecuados (vea el diagrama de cableado en el gabinete de la secadora) o reemplace el conjunto de control.
La luz está parpadeando – Vea los códigos de error en la tabla de CÓDIGOS.

La secadora no se apaga

- Puede estar montada demasiado cerca de un mostrador u otro objeto (ajuste el rango del detector).
- Revise si hay cableado flojo, desconectado o inapropiado en el conjunto de control (consulte el diagrama de cableado en el gabinete del soplador).
- Reemplace el conjunto de control.

La secadora solo produce aire frío (secadoras no ECO)

- Reviste el ajuste de calor en el control.
- Revise si hay conexiones flojas con el elemento de calentamiento.
- Reemplace el elemento de calentamiento.

La secadora no siempre se enciende o se enciende sola

- Puede estar montada demasiado cerca de un mostrador u otro objeto (ajuste el rango del detector).
- Revise si hay materiales extraños en el detector óptico junto a la salida de aire.
- Revise si hay cables flojos en el conjunto de control.
- Reemplace el conjunto de control.

La secadora sufre de pérdida de volumen de aire.

- Revise el ajuste de la velocidad del motor (marcada "M") en el control. Gire a la derecha para incrementarla.
- Revise si el motor funciona lentamente o si hay olor a quemado. Si es así, reemplace el motor.
- Revise si hay acumulación de pelusa en el prefiltro. Para limpiarlo, retire el prefiltro y enjuáguelo en agua caliente; séquelo antes de volver a instalarlo.
- Revise si el gabinete de plástico tiene grietas.

AJUSTE DE LA PRODUCCIÓN DE CALOR, LA VELOCIDAD DEL MOTOR Y EL RANGO DEL DETECTOR

La secadora se envía con el calor y la velocidad del motor al máximo. Para ajustarlos, gire la perilla A LA IZQUIERDA para reducirlos.

H = CALOR M = MOTOR R = RANGO

Nota: Los modelos Eco® no tienen elemento de calentamiento y están ajustados con el calor al máximo.

Si no puede resolver los problemas con los pasos anteriores, favor de llamar al fabricante al 1-800-255-9235 y uno de nuestros capacitados técnicos tendrá el placer de atenderlo.

SOLUCIÓN DE PROBLEMAS

Los códigos se indican por el parpadeo de la luz LED roja del detector, detrás de la salida de aire.

La operación normal está indicada si la luz LED roja está encendida cuando no está secando y apagada cuando las manos estén abajo del detector.

CÓDIGOS DE MANTENIMIENTO DE LA SECADORA

1 DESTELLO CORTO, 1 LARGO	Prefiltro obstruido.	Quite y limpie el prefiltro.	La secadora sigue funcionando.
1 DESTELLO CORTO, 2 LARGOS	Prefiltro gravemente obstruido.	Quite y limpie el prefiltro.	La secadora se detiene.
2 DESTELLOS CORTOS, 1 LARGO	En modo de bloqueo.	Retire la obstrucción o ajuste el rango del sensor.	La secadora estará detenida hasta que se despeje la obstrucción o se ajuste el rango del detector.

CÓDIGOS DE PROBLEMAS DEL MOTOR

1 DESTELLO LARGO, 3 CORTOS	Exceso de corriente en el motor.	Mida el voltaje en todo el bloque terminal. Si está bien, reemplace el motor.	La secadora se detiene.
1 DESTELLO LARGO, 4 CORTOS	Deficiencia de corriente en el motor.	Mida el voltaje en todo el bloque terminal. Si está bien, reemplace el motor.	La secadora se detiene.

CÓDIGOS DE PROBLEMAS DEL CALENTADOR

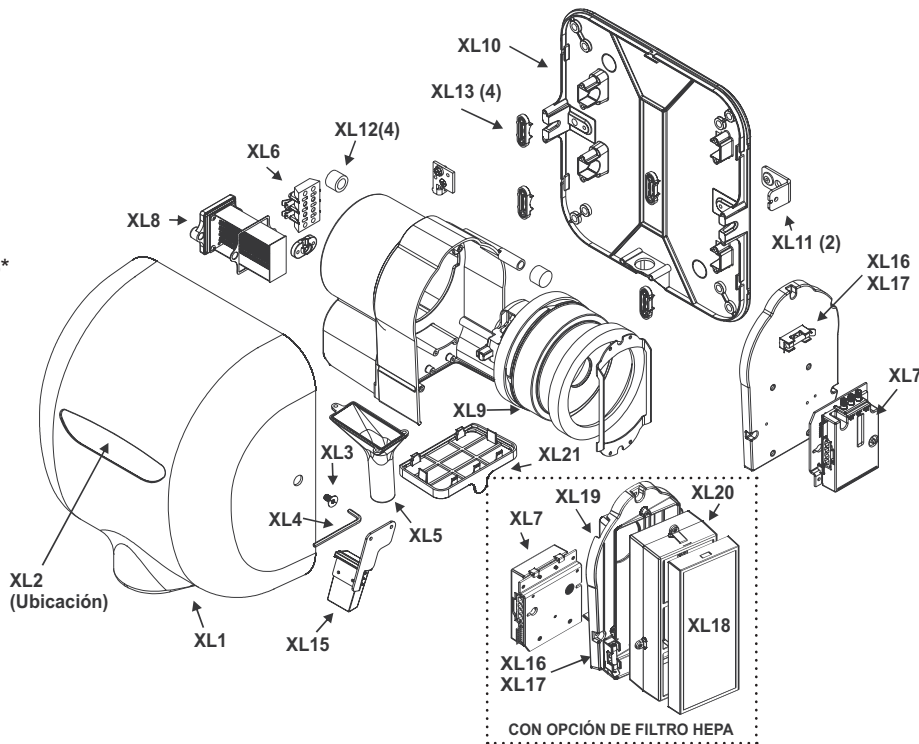
2 DESTELLOS LARGOS, 3 CORTOS	El calentador tiene corto o es incorrecto.	Reemplace el elemento de calentamiento.	La secadora se detiene.
------------------------------	--	---	-------------------------



LISTA DE PARTES

Núm. de Ref. Descripción

XL 1	Cubierta (incluye la placa de nombre)
XL 2	Placa de nombre
XL 3	Perno a prueba de manipulación
XL 4	Llave a prueba de manipulación
XL 5	Salida de aire (incluye la junta)
XL 6	Bloque terminal (incluye tornillos)
XL 7	Conjunto de control y detector
XL 8	Conjunto del elemento de calentamiento*
XL 9	Motor
XL 10	Conjunto de la placa de base
XL 11	Soportes de montura de la cubierta
XL 12	Ojal del gabinete
XL 13	Receptáculo del gabinete
XL 15	Conjunto de óptica (detector)
XL 16	Receptáculo de fusibles (si está equipada así)
XL 17	Fusible (si está equipada así)
XL 18	Prefiltro HEPA**
XL 19	Adaptador del filtro HEPA**
XL 20	Filtro HEPA**
XL 21	Prefiltro



*No se aplica a los modelos XLERATOReco.

**Solo se aplica a los modelos HEPA.

5 AÑOS DE GARANTÍA LIMITADA (SOLO EN EUA)

- Este producto está garantizado contra defectos de manufactura durante cinco (5) años (un [1] año para el filtro y prefiltro HEPA) a partir de la fecha de envío desde la planta del fabricante en 357 Chestnut St. East Longmeadow, Massachusetts 01028. Esta garantía excluye explícitamente el desgaste normal del filtro y del prefiltro, así como defectos en la instalación, accidentes, abusos y vandalismo.

En caso de violación de la garantía mencionada más arriba, el propietario tendrá cualquiera de los siguientes recursos:

- El propietario devolverá el producto defectuoso al fabricante, con franqueo pagado, y este reparará dicho producto en un tiempo razonable y sin costo alguno, habida cuenta de que el producto se devuelva dentro del periodo declarado más arriba a partir de la fecha del envío original desde la planta del fabricante en East Longmeadow, Massachusetts; y también habida cuenta de que el defecto no se deba a una instalación defectuosa, accidentes, abusos o vandalismo.
 - El propietario puede notificar del defecto al fabricante por teléfono o por escrito y, en un tiempo razonable, este le enviará una parte adecuada para remediar el defecto. Al propietario se le cobrará la pieza al precio vigente. El propietario puede devolver la pieza defectuosa al fabricante, con el franqueo pagado, junto con el número de serie del producto y el fabricante entonces le extenderá al propietario el crédito completo por la pieza de refacción, incluyendo el franqueo de salida (solo dentro de los EUA continentales). Dicho recurso está disponible solamente dentro del periodo establecido más arriba a a partir de la fecha del envío original desde la planta del fabricante en East Longmeadow, Massachusetts; y también habida cuenta de que el defecto no se deba a una instalación defectuosa, accidentes, abusos o vandalismo.
- Cualquier garantía implícita de mercabilidad o adecuación para un propósito en particular está limitada por la presente a la duración de la garantía expresa y por escrito contenida en el párrafo uno (1), a saber, cinco (5) años (un [1] año para el filtro y prefiltro HEPA) a partir de la fecha de envío desde la planta del fabricante en East Longmeadow, Massachusetts
 - Si reside fuera de los EE. UU., comuníquese con el distribuidor del que adquirió el XLERATOR/XLERATOReco para obtener asistencia con la garantía.
 - No hay otras garantías o recursos excepto por los contenidos en la presente. Esta garantía se interpretará en beneficio del propietario, sus sucesores y asignados.



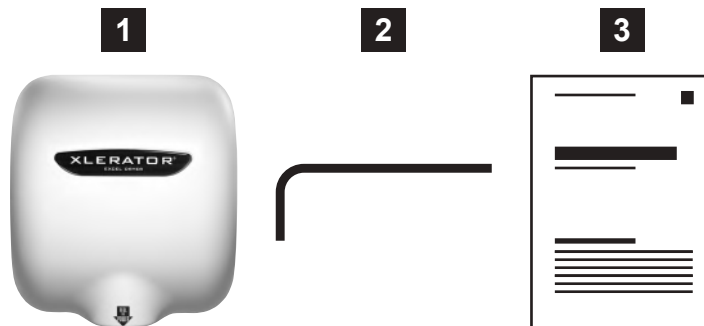


MANUEL D'INSTALLATION ET DE L'UTILISATEUR DU SÈCHE-MAINS MODÈLES XLERATOR® ET XLERATORECO®

MODÈLES: XL - **BW** **W** **GR** **C** **SB** **SI** **SP** AVEC OU SANS SUFFIXE: **ECO** **V** **H**

RÉCEPTION DE L'EXPÉDITION

- Déballez tous les éléments de la boîte.
- Comparez les articles reçus avec la liste suivante:
 - Sèche-mains
 - Clé anti-effraction
 - Manuel d'installation et du propriétaire
- Informez le fabricant si des éléments sont manquants ou endommagés.
- Localisez le numéro de modèle du sèche-mains et le numéro de série sur la plaque signalétique du sèche-mains et enregistrez les données ci-dessous.
- Veillez lire et conserver ces instructions.



INFORMATIONS SUR LE MODÈLE

Modèle sèche-mains	<input type="text"/>	<input type="radio"/> 110-120V	11.3 – 12.2A	
Numéro de série	<input type="text"/>	<input type="radio"/> 208-277V	5.6 – 6.2A	
Date d'achat	<input type="text"/>	<input type="radio"/> 110-120V	4.3 – 4.5A	XLERATOReco
		<input type="radio"/> 208-277V	2 – 2.2A	XLERATOReco

IMPORTANTES CONSIGNES DE SÉCURITÉ

	<p>AVERTISSEMENT: Vérifier les codes locaux de construction pour les connexions électriques appropriées. Votre unité doit être installée par un électricien agréé et qualifié.</p>
	<p>AVERTISSEMENT: Pour réduire les risques d'incendie, de choc électrique ou de blessure, respectez les consignes suivantes:</p> <p>A. Utilisez cette unité uniquement de la manière prévue par le fabricant.</p> <p>B. Avant de réparer ou de nettoyer l'unité, éteignez l'alimentation (off) au niveau du panneau de service et verrouillez l'alimentation secteur pour éviter toute mise sous tension accidentelle. Lorsque les dispositifs de sectionnement ne peuvent pas être verrouillés, fixez de manière sécurisée un dispositif d'avertissement évident, tel qu'une étiquette, sur le panneau de service.</p>

CONSIGNES GÉNÉRALES DE SÉCURITÉ

- Les opérations de maintenance et de dépannage doivent obligatoirement être effectuées par des techniciens qualifiés.
- Ne pas utiliser d'équipement de lavage à haute pression pour le nettoyage sur ou à proximité de cette unité.
- Ne pas utiliser le sèche-mains XLERATOR pour sécher les cheveux.
- Ne pas obstruer les entrées/sorties d'air.

INSTRUCTIONS SUR LA SÉCURITÉ DU CÂBLAGE AVANT L'INSTALLATION

- Vérifier que l'alimentation électrique correspond à celle indiquée sur l'autocollant signalétique de l'unité. Vérifier que l'alimentation électrique correspond à une alimentation électrique autre que celle indiquée sur l'autocollant signalétique de l'unité. Des dommages permanents ou un fonctionnement dangereux et inapproprié, de l'unité peut en résulter.
- S'assurer que l'électricité est coupée sur le panneau principal avant d'installer, de maintenir ou de nettoyer ce sèche-mains.
- Le sèche-mains doit être installé conformément aux normes actuelles de câblage et de construction.
- Ne pas brancher ce sèche-mains dans le circuit d'éclairage. Il doit être protégé par un circuit indépendant.
- Le sèche-mains doit être connecté en permanence à l'alimentation et doit être correctement mis à la terre.



LISEZ ET CONSERVEZ CES INSTRUCTIONS

CONSIGNES D'INSTALLATION

- Débranchez la source d'alimentation acheminée au sèche-mains (voir le câblage avant l'installation).
 - Retirez les deux (2) vis de fixation du couvercle à l'aide de la clé anti-effraction (fournie). Soulevez le couvercle pour le retirer de la plaque de base.
 - Si l'entrée du câblage électrique doit être effectuée par l'arrière, retirez l'élément défonçable préformé approprié sur la plaque de base. Si l'entrée doit être effectuée depuis le bas, défoncez la zone préformée sur le couvercle pour effectuer la connexion d'alimentation. Utilisez une conduite rigide pour le câblage électrique de l'unité.
 - Sélectionnez la hauteur de montage appropriée pour le sèche-mains. (Tableau 1) Sélectionnez l'attache recommandée (Tableau 2). Nettoyez toute obstruction entre le sèche-mains et le sol. Pour une installation au-dessous d'un comptoir, la distance entre le comptoir et le sèche-mains doit être de 381 mm minimum.
- MISES EN GARDE: Ne pas utiliser la plaque de base comme guide lors du perçage. S'assurer qu'aucun tuyau (gaz, eau, air) ou câble ou fil électrique ne sont situés directement derrière la zone à percer.**
- Fixez la plaque de base aux quatre coins sur un mur lisse. Pour sécuriser davantage l'installation, utilisez 2 trous de montage supplémentaires (voir le schéma). Pour les unités non-HEPA, retirez la commande pour accéder au trou de montage latéral. Pour les unités HEPA, retirez le filtre uniquement pour accéder au trou de montage sur le côté droit.
 - Identifiez la tension de votre sèche-mains sur l'autocollant signalétique de l'unité. Effectuez ensuite la connexion à un circuit de dérivation dédié n'excédant pas 20 Amp.
 - Fixez le câblage électrique aux bornes en vous servant du schéma apposé sur le boîtier du ventilateur comme référence. Un point de connexion à la terre identifié est fourni sur la plaque de base pour le fil de terre de votre équipement. Les sèche-mains doivent être installés selon les exigences du code local.
 - En prenant toutes les précautions nécessaires, remplacez le couvercle en utilisant les 2 vis précédemment enlevées à l'étape 2. Restaurez l'alimentation et testez le fonctionnement. Dans le cas d'installations multiples, assurez-vous que le numéro de série marqué sur l'intérieur correspond au numéro de couverture.
 - Il est fortement recommandé de placer un cordon scellant de silicone sur l'extérieur du couvercle au niveau du mur afin de protéger le sèche-mains contre la corrosion interne causée par l'eau de lavage et les solutions de nettoyage.
 - Redonnez la clé anti-effraction au propriétaire.

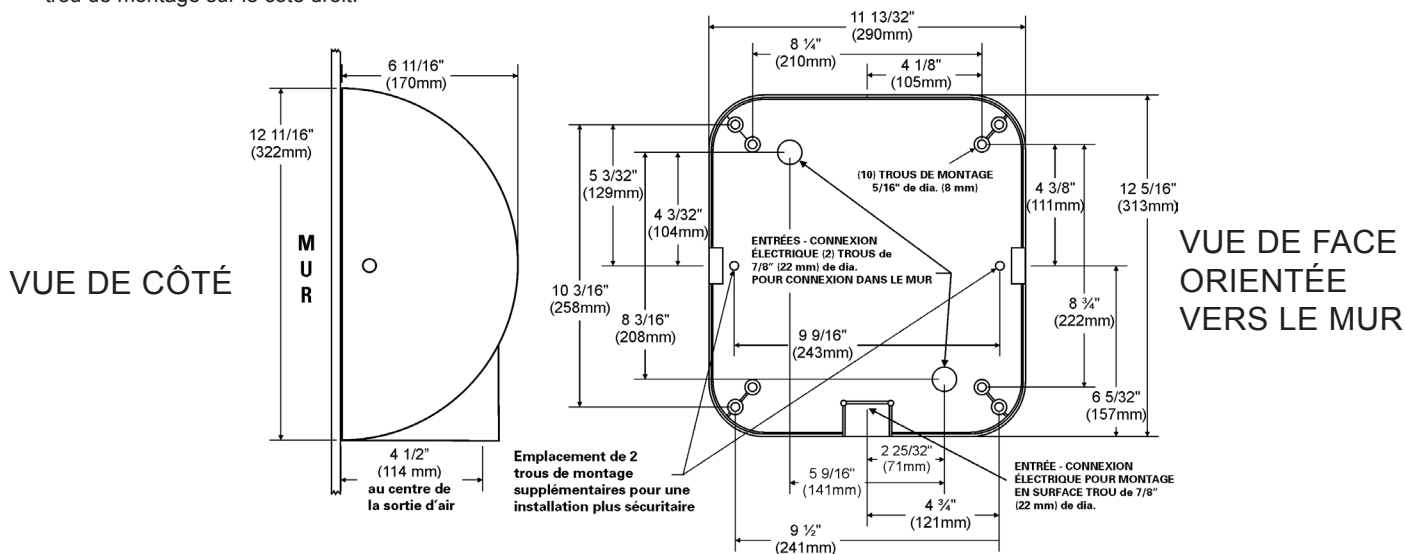


TABLEAU 1

1 HAUTEUR DE MONTAGE PROPOSÉE

Depuis le sol jusqu'à la partie inférieure du sèche-mains:

Homme	45" (114 cm)
Femme	43" (109 cm)
Adolescents	41" (104 cm)
Enfants en bas âge	35" (89 cm)
Accessible	37" (94 cm)

TABLEAU 2

2 QUINCAILLERIE DE MONTAGE

Éléments de fixation recommandés (non fournis):

Mur de maçonnerie	1/2 po Manchon expansible avec tire-fond de 1/4 po
Mur creux	Boulon à ailettes de 1/4 po
Mur en bois	Vis pour bois avec rondelle de 1/4 po



LISEZ ET CONSERVEZ CES INSTRUCTIONS

NETTOYAGE ET MAINTENANCE

EXTÉRIEUR: Nettoyer la poussière et la saleté en lavant soigneusement le couvercle (y compris les trous d'entrée d'air). Utilisez un chiffon doux ou une éponge et un savon ou un détergent doux avec de l'eau tiède.

INTÉRIEUR: Excel recommande d'inspecter l'intérieur du sèche-mains et de le nettoyer au besoin une fois par an, ou si la performance diminue. Une utilisation plus intense ou un environnement qui contient des peluches excessives, de la poussière ou d'autres particules, nécessite un nettoyage plus fréquent. Toute accumulation de peluches sur l'entrée d'air, le pré-filtre ou d'autres parties internes du sèche-mains réduiront l'efficacité et la durée de vie des pièces. Pour procéder au nettoyage, coupez (off) le courant au sèche-mains au niveau de la connexion de service. Enlevez le couvercle en dévissant les 2 boulons anti-effraction sur le côté du couvercle à l'aide de la clé anti-effraction spéciale fournie avec tous les sèche-mains. Utilisez une petite brosse douce pour nettoyer soigneusement toutes les pièces. Si votre unité contient un préfiltre de sèche-mains ou un système de filtration HEPA, décrochez le pré-filtre pour le rincer avec de l'eau et séchez-le. Ré-installez.

NE PAS NETTOYER LE FILTRE HEPA POUR ÉVITER QU'IL ENTRE EN CONTACT AVEC DE L'EAU.

DÉPANNAGE

Le sèche-mains ne se met pas en marche

- Vérifiez l'alimentation et les connexions à l'unité. Vérifiez que la tension du sèche-mains au niveau du bornier est correcte. (Vérifiez la tension sur l'étiquette du sèche-mains).
- Localisez et vérifiez le voyant LED du service ROUGE à côté de la sortie d'air situé en bas du sèche-mains pour les conditions suivantes:
Le témoin est ALLUMÉ – Placez les mains sous le capteur. Si le témoin reste allumé, remplacez le capteur. Si le voyant s'éteint, vérifiez la connexion électrique pour garantir qu'elle est correcte. Si c'est le cas, vérifiez les connexions au moteur. Si les deux sont en bon état, remplacez le moteur.
Le voyant est ÉTEINT – Vérifiez si un câblage est desserré, déconnecté ou incorrect (voir le schéma du câblage situé sur le boîtier du ventilateur), ou remplacez l'ensemble de la commande.
Le voyant CLIGNOTE – Voir les codes d'erreur dans le tableau CODE.

Le sèche-mains ne s'arrête pas

- Il peut être installé trop près du comptoir ou de l'objet (régler la plage du capteur).
- Vérifiez si un câblage est desserré, déconnecté ou incorrect au niveau de la commande (voir le schéma de câblage apposé sur le boîtier du ventilateur).
- Remplacez l'ensemble de commande.

Le sèche-mains ne souffle que de l'air froid (sèche-mains non-ECO)

- Vérifiez le réglage de la chaleur sur l'ensemble de commande.
- Vérifiez la présence de connexions desserrées à l'élément chauffant.
- Remplacez l'élément chauffant.

Le sèche-mains ne se met pas toujours en marche, ou se met en marche de lui-même

- Il peut être installé trop près du comptoir ou de l'objet (régler la plage du capteur).
- Vérifiez la présence de matériaux étrangers sur le capteur optique à côté de la sortie d'air.
- Vérifiez la présence des fils desserrés sur l'ensemble de commande.
- Remplacez l'ensemble de commande.

Le sèche-mains perd de l'air

- Vérifiez le réglage (designé par la lettre M) de la vitesse du moteur sur la commande. Tournez dans le sens des aiguilles d'une montre pour augmenter.
- Vérifiez si le fonctionnement est lent ou s'il y a une odeur de brûlure. Si c'est le cas, remplacez le moteur.
- Vérifiez l'accumulation de peluches sur le pré-filtre. Nettoyez en enlevant le pré-filtre et rincez à l'eau chaude puis séchez le pré-filtre à sec avant de le réinstaller.
- Vérifiez la présence de fissures dans le boîtier en plastique.

RÉGLAGE DE LA SORTIE DE LA CHALEUR, DE LA VITESSE DU MOTEUR ET DE LA PLAGE DE CAPTEURS

Le sèche-mains est expédié réglé à la chaleur et à la vitesse maximales du moteur. Pour régler, tournez le bouton correspondant **DANS LE SENS HORAIRE** pour réduire.

H = CHALEUR M = MOTEUR R = PORTÉ

Remarque : Les modèles ECO® ne disposent pas d'élément de chauffage et la chaleur est réglée au minimum.

Si les problèmes ne peuvent être résolus avec les solutions de dépannage proposées, veuillez contacter le fabricant au 1-800-255-9235 et l'un de nos techniciens formés se fera un plaisir de vous aider.

TABLEAU DES CODES

Les codes sont affichés en clignotant le voyant DEL rouge dans le capteur derrière la sortie d'air.

Le fonctionnement normal sera indiqué par la DEL rouge allumée en cas de non séchage et de désactivation lorsque les mains sont sous le capteur.

CODES DE MAINTENANCE DU SÈCHE-MAINS

1 CLIGNOTEMENT COURT/1 CLIGNOTEMENT LONG	Pré-filtre encrassé.	Retirez et nettoyez le pré-filtre.	Le sèche-mains continuera de fonctionner.
1 CLIGNOTEMENT COURT/2 CLIGNOTEMENT LONG	Pré-filtre très obstrué.	Retirez et nettoyez le pré-filtre.	Le sèche-mains s'arrêtera.
2 CLIGNOTEMENT COURT/1 CLIGNOTEMENT LONG	En mode de verrouillage.	Retirez l'obstruction ou réglez la plage du capteur.	Le sèche-mains s'arrête jusqu'à ce que l'obstruction soit dégagée ou que la plage du capteur soit réglée.

CODES DE PROBLÈME DU MOTEUR

1 CLIGNOTEMENT LONG/3 CLIGNOTEMENTS COURTS	Surcharge du courant du moteur.	Mesurez la tension au niveau du bornier. Si elle est correcte, remplacez le moteur.	Le sèche-mains s'arrêtera.
1 CLIGNOTEMENT LONG/4 CLIGNOTEMENTS COURTS	Sous-charge du courant du moteur.	Mesurez la tension au niveau du bornier. Si elle est correcte, remplacez le moteur.	Le sèche-mains s'arrêtera.

CODES DE PROBLÈME DE L'ÉLÉMENT CHAUFFANT

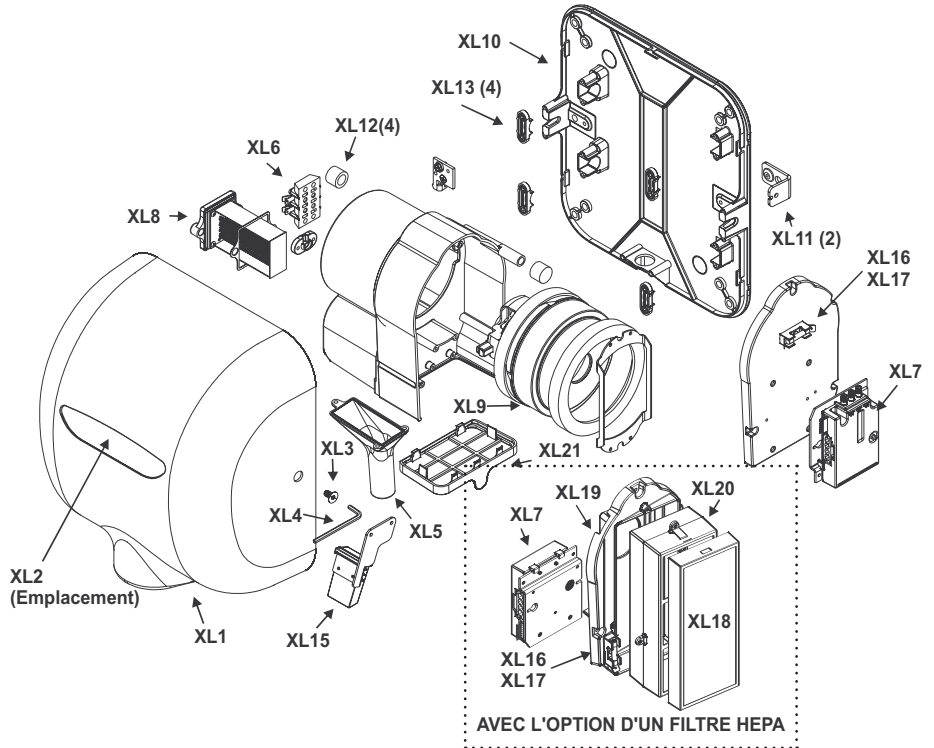
2 CLIGNOTEMENT LONG/3 CLIGNOTEMENTS COURTS	Élément de chauffage court-circuité ou incorrect.	Remplacez l'élément de chauffage.	Le sèche-mains s'arrêtera.
--	---	-----------------------------------	----------------------------



LISTE DES PIÈCES

N° réf. Description

XL 1	Couvercle (inclut la plaque signalétique)
XL 2	Plaque signalétique
XL 3	Boulon anti-effraction
XL 4	Clé anti-effraction
XL 5	Sortie d'air (y compris joint d'étanchéité)
XL 6	Bornier (y compris vis)
XL 7	Commande et capteur
XL 8	Élément de chauffage*
XL 9	Moteur
XL 10	Plaque de base
XL 11	Crochets de montage du couvercle
XL 12	Œillet du boîtier
XL 13	Retenue du boîtier
XL 15	Matériel optique (capteur)
XL 16	Porte-fusible (si équipé)
XL 17	Fusible (si équipée)
XL 18	Pré-Filtre HEPA**
XL 19	Adaptateur filtre HEPA**
XL 20	Filtre HEPA**
XL 21	Pré-Filtre



*Ne s'applique pas aux modèles XLERATOReco
 **Applicable uniquement aux modèles HEPA

GARANTIE LIMITÉE DE 5 ANS (ÉTATS-UNIS UNIQUEMENT)

1. Ce produit est garanti exempt de tous vices de fabrication pendant cinq (5) ans (une [1] année sur les filtres et pré-filtres HEPA) à compter de la date d'expédition de l'usine du fabricant au 357 Chestnut St., East Longmeadow, Massachusetts 01028 États-Unis. La présente garantie exclut explicitement l'usure normale du filtre ou du pré-filtre, ainsi que l'installation défectueuse, les accidents, l'utilisation abusive ou le vandalisme.

En cas de violation de la garantie décrite ci-dessus, le titulaire dispose de l'un des recours suivants:

- a. Le propriétaire doit renvoyer le produit défectueux au fabricant,, affranchissement prépayé et le fabricant doit réparer ledit produit dans un délai raisonnable et sans frais, à condition que ledit produit soit retourné dans la période susmentionnée à compter de la date d'expédition d'origine de l'usine du fabricant à East Longmeadow, Massachusetts; et pour autant que ledit défaut ne soit pas dû à une mauvaise installation, à un accident, à une mauvaise utilisation ou à un vandalisme; ou
- b. Le propriétaire peut aviser le fabricant par téléphone ou par écrit du défaut et, dans un délai raisonnable, le fabricant enverra une pièce de rechange appropriée pour remédier à ce défaut et le propriétaire sera facturé pour ladite pièce au niveau de prix actuel. Le propriétaire peut renvoyer la pièce défectueuse au fabricant,, affranchissement prépayé, avec le numéro de série du produit défectueux et, le fabricant accordera au propriétaire un crédit complet pour la partie concernant la réparation, y compris les frais d'expédition pour le retour (uniquement pour le territoire continental des États-Unis). Ledit remède n'est disponible que dans la période indiquée ci-dessus à compter de la date d'expédition d'origine du produit de l'usine du fabricant à Longmeadow, dans le Massachusetts, aux États-Unis, et sous condition que ledit défaut ne soit pas dû à une mauvaise installation, un accident, une mauvaise utilisation ou un vandalisme.

2. Toute garantie implicite de qualité marchande ou d'adaptation pour un objectif particulier est limitée à la durée de la garantie écrite express prévue au paragraphe un (1) ; soit cinq (5) ans (un [1 an] pour le filtre et préfiltre HEPA) à compter de la date d'expédition de l'usine du fabricant à East Longmeadow, dans le Massachusetts aux États-Unis.
3. Si vous résidez à l'extérieur des États-Unis, communiquez directement avec le distributeur auquel vous avez acheter l'XLERATOR/l'XLERATOReco pour tout support au niveau de la garantie.
4. Aucune autre garantie ou remède ne sont fournis sauf tel qu'expressément prévu aux présentes. La présente garantie s'applique à l'avantage des bénéficiaires, successeurs et ayants droits.



TIME TO THROW IN THE TOWEL®

EXCEL DRYER INC • 1.413.525.4531 • 1.800.255.9235 (US/CN) • EXCELDRIYER.COM

JAN
2019

19EDM0475